

# TRG

Commissioning box for grilles



## QUICK FACTS

- Used for grilles: ALG, GTH, GRL
- Same design for supply air/extract air
- High natural attenuation
- Simple commissioning, fixed measurement tapings
- Cleanable, removable damper
- Large throttling range

# Technical description

## Design

Contains a removable damper, mounting frame with air distribution plate, fixed measurement tapings and sound absorbent insulation covered by a reinforced surface layer, rated to Fire Resistance Class B-s1,d0 conforming to EN ISO 11925-2. Air tightness class according to SS-EN 12237 and VVS/AMA 12, class C.

## Materials and surface treatment

Made of galvanised sheet steel.

## Project design

Technical data are available in combination with each air diffuser.

## Assembly

If a TRG commissioning box is used, pull the telescopic mounting frame out of the box. Push the box from the rear into the opening and secure the box to the building structure with mounting brackets or hangers. Apply sealing compound between the commissioning box and the mounting frame to prevent air leakage. Push the telescopic mounting frame into the box from the room side, and secure it to the sides with blind rivets, see Figure 1.

## Commissioning

Commissioning must be carried out with the grille mounted. Pull the measuring tubes and damper adjustment cords out through the vanes of the grille. The coefficient of performance (K-factor) is specified on the identification label of the grille. COPs (K-factors) can also be found in the relevant commissioning instructions at [www.swegon.com](http://www.swegon.com).

## Maintenance

The commissioning box has a removable commissioning damper, which enables cleaning of the duct system via the commissioning box. The interior surfaces of the box can be cleaned by vacuum cleaning using a brush nozzle. Turn the distribution plate inside the commissioning box to the side for access of the tubular damper casing.

## Environment

The Building Material Declaration is available for downloading at [www.swegon.com](http://www.swegon.com).

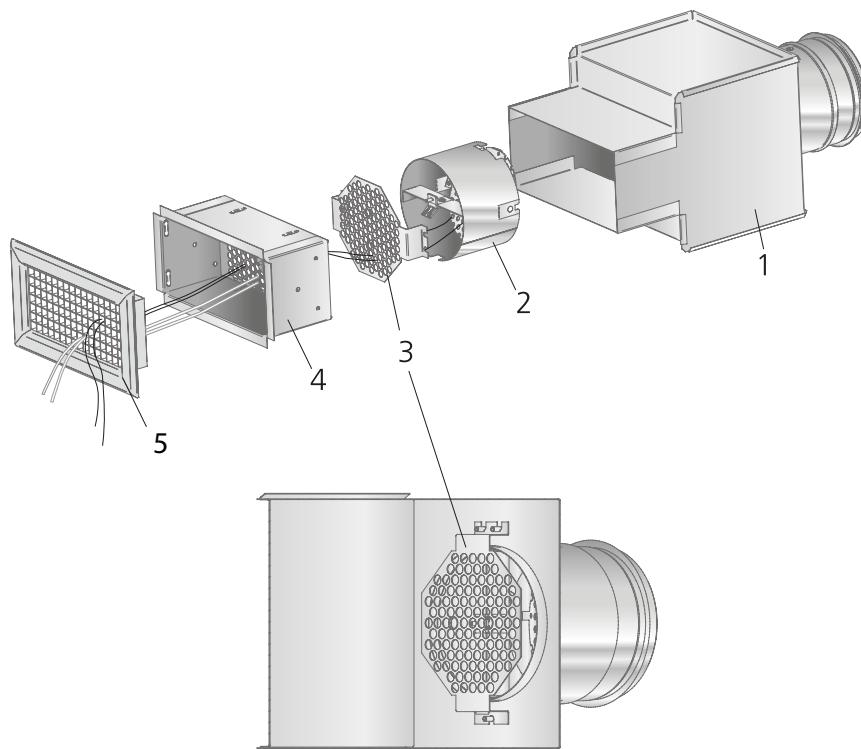


Figure 1. Installation. Commissioning.

To secure the damper action (2) in the duct connection and to secure the octagonal perforated face plate (3) against the duct connection.

1. Commissioning box
2. Damper action
3. Octagonal air distribution plate
4. Mounting frame
5. Grille

# Dimensions and weights

## TRG

Size	A	B	C	ØD	F	I	G	Weight, kg
200-100	203	100	80	124	175	98	195	2,2
300-100	303	100	100	159	210	115	230	3,5
400-100	403	100	100	159	210	115	230	3,9
500-100	503	100	120	199	245	135	270	5,7
300-150	303	150	120	199	270	135	270	4,0
400-150	403	150	145	249	305	160	320	5,6
500-150	503	150	145	249	305	160	320	6,3
400-200	403	200	145	249	330	160	320	5,8
500-200	503	200	180	314	360	194	387	8,0
600-200	603	200	180	314	360	194	387	8,8
600-300	603	300	215	399	495	244	487	13,2

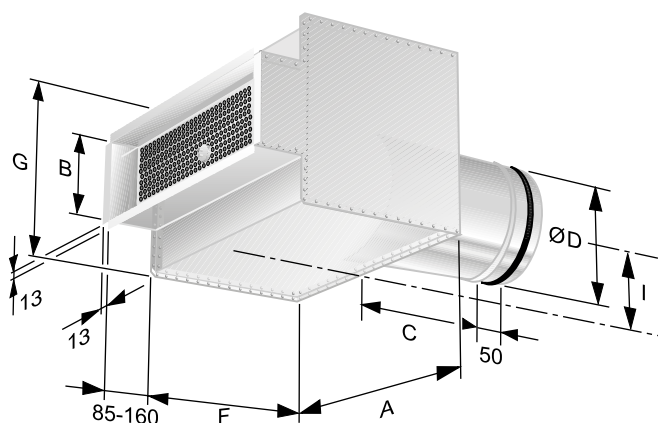


Figure 2. TRG dimensions.  
Size of the opening = nominal dimensions + 5 mm (Size designation of the grille + 5mm).

## Ordering key

### Product

Commissioning box with removable damper TRG d -aaa -bbb -ccc -d

### Version:

Nominal width  
200, 300, 400, 500, 600

Nominal height  
100, 150, 200, 300

Size of duct to be connected:  
125, 160, 200, 250, 315 and 400

Connection options:  
B = Rear  
K = Short side  
L = Long side

## Specification text

Swegon's TRG commissioning box with the following functions:

- Removable commissioning damper
- Method of measurement with low systematic error
- Internal sound absorbing lining with fibre-migration-proof surface layer

Size: TRGd aaa-bbb-ccc-d xx items

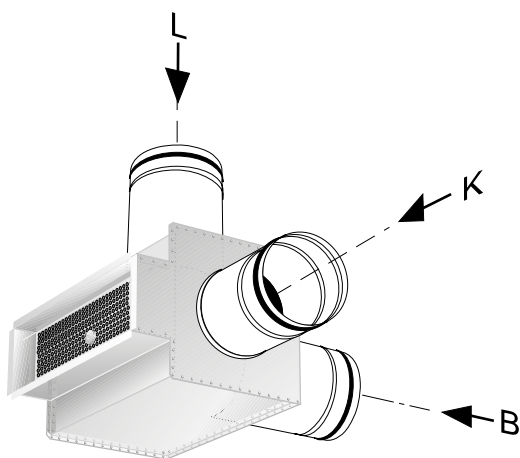


Figure 3. Connection options for the TRG.  
B = Rear connection  
K = Connection to the short side  
L = Connection to the long side