

INSTALLATION

GOLDen GATE, TBLZ-1/2-1-2-41

1. GENERAL

The TBLZ-1/2-1-2-41 Communication unit is designed for use together with the GOLD Air handling unit, Version 4, A and B.

The unit consists of the following components:

1. 4-module standard enclosure for DIN busbar installation to IP20.
2. 9-pin D-subconnector for connection via serial cable to the GOLD.
3. Power supply terminals, 10-30 V AC/DC, 50 mA at 12V (see label).
4. Terminals for connection to an EIA 485 network.
5. Switch for termination.
6. RJ-12 jack for future use.
7. Switches for future use.
8. Switches for future use.

Other features:

- Module Status LED
- Network LED
- GOLD Comm. LED

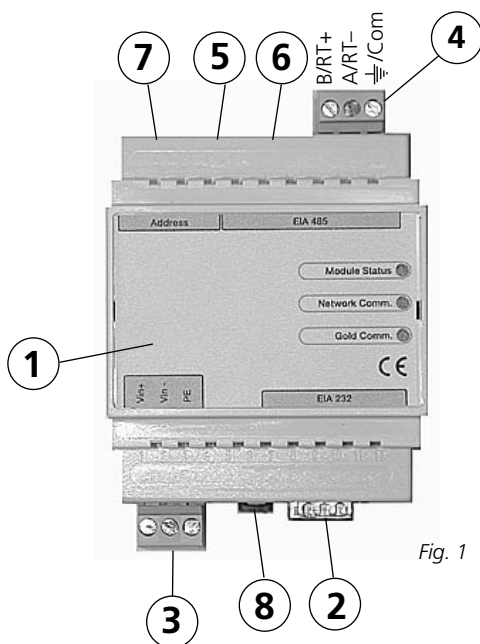


Fig. 1

2. SAFETY PRECAUTIONS

Be careful whenever you do any wiring to the unit. Never carry out any work on the unit while the power supply is switched on. Doing so could harm you and damage the unit. Observe local electrical safety regulations as you install the unit.

3. INSTALLATION

3.1 General

Connect conductors to the V in+ and V in- terminals (see Fig. 1) of the GOLDen GATE unit and wire them to a separate power supply unit with the correct capacity or to the 12 V DC or 24 V AC terminals of the GOLD air handling unit.

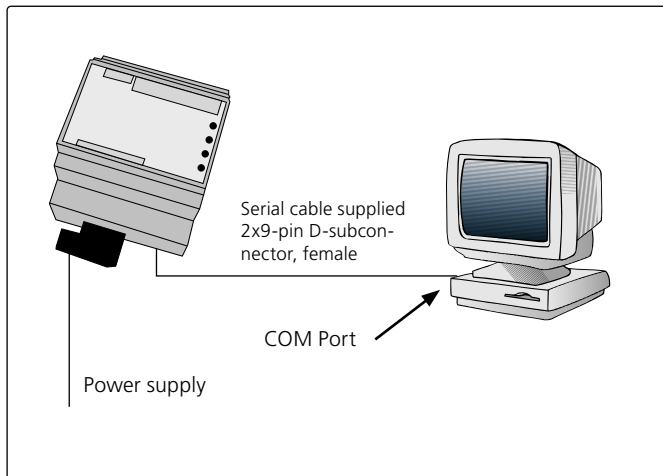
Configure the communication unit using the configuration program GOLDen GATEConfig available from our website address: <http://www.swegon.se>. Install the program according to the instructions in the setup window.

This configuration requires the use of a computer with Windows 98 SE or better and an RS-232 serial port is needed. Use the serial cable fitted with double 9-pin D-subconnectors, female, supplied with the communication unit. Start the configuration program and select Golden Gate Serial EIA485, see Figure 2.

Choose the appropriate serial port, protocol, network address and other appropriate parameters for the unit, see Fig. 3. You can also use the 8 binary DIP-switches for selecting an address. If all the DIP-switches are in the OFF position, the configuration program's address will apply. When you've finished configuring and saved all the parameters, you'll have to de-energize the unit for about 30 seconds before your settings will be effective. Locate the communication unit next to the junction hood on the GOLD air handling unit. Depending on the enclosure requirements called for by the application, an extra enclosure conforming to a higher enclosure class may be required. Connect the network. Select on the termination DIP-switch whether termination is to be active or not. ON = Active.



Fig. 2



Get Config = The appropriate settings and program version in the communication unit.

Set Config = Transmit the settings in the configuration program to the communication unit.

Upgrade FW = Upgrades the communication unit to another version. Open the desired program file. You will find it in the "GOLDen GATE Config" folder installed. Open the appropriate file and install it in the unit connected.

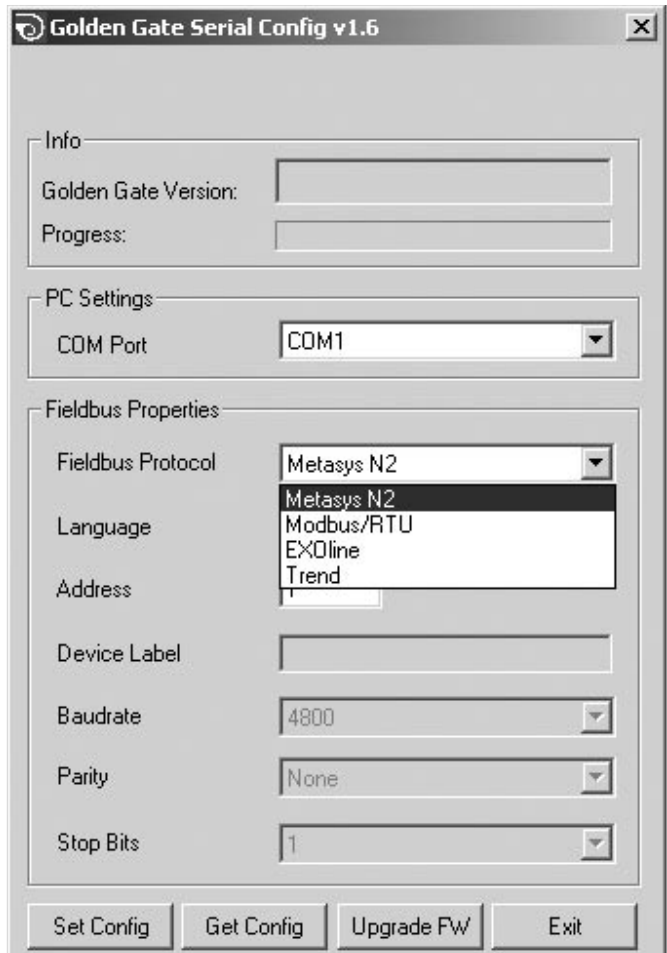


Fig. 3

3.2 GOLD Version 4/A

Connect the serial cable supplied with 9-pin D-subconnector and circular connector to the socket on the GOLD (see arrow in Fig. 4).

3.3 GOLD Version B

Run the serial cable supplied through the GOLD air handling unit cable lead-through and connect it to the socket located inside the GOLD (see Fig. 5 and 6). This serial cable is the one that should be used when configuring the unit from a personal computer.

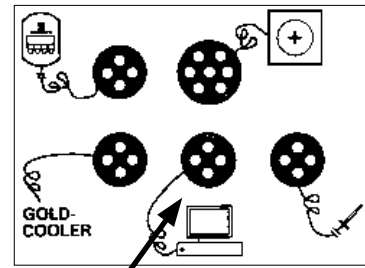
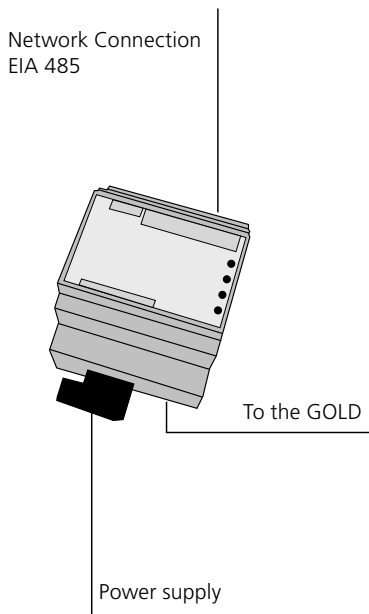


Fig. 4



Junction hood viewed from the rear

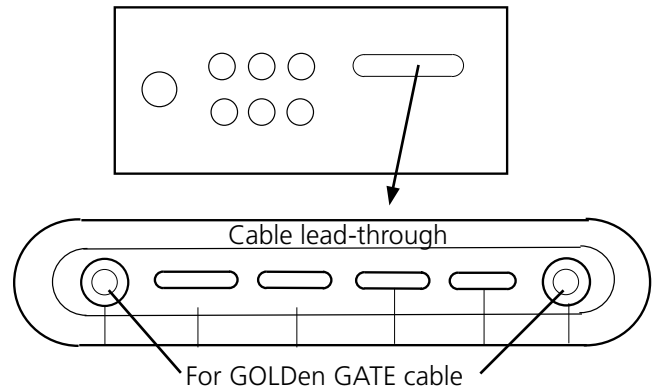


Fig. 5

4. COMMISSIONING

4.1 GOLD Version 4/A

Set the LON Communication to "0" in the service menu.

4.2 GOLD Version B

GOLD units with Program Version 1.11: DIP-switch 3 must be in the ON position and DIP-switch 4 in the OFF position on the GOLD AHU control unit: (see Fig. 6).

GOLD units with Program Version 1.12 and better: DIP-switch 3 must be in the OFF position and DIP-switch 4 must be in the ON position on the GOLD AHU control unit (see Fig. 6).

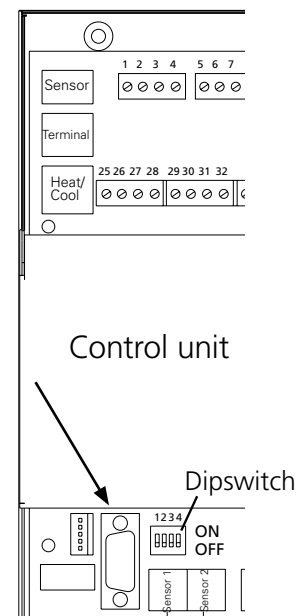


Fig. 6

5. GENERAL EXPLANATIONS

Module Status

LED is not lit during start-up. Then shines green when the unit is energized.

LED flashes green while configuration is in progress.

LED flashes red if the memory malfunctions.

LED shines red in the event of a serious fault in the hardware.

GOLD Comm.

LED flashes green while communication between the GOLD and the GOLDen GATE is in progress.

LED shines red if an error in communication occurs between the GOLD and the GOLDen GATE.

LED is not lit while there is no traffic between the GOLD and the GOLDen GATE.

Network

LED flashes green while there is traffic on the network to the unit.

LED shines red if the network is down.

LED is not lit while there is no traffic to the unit.

The various parameters available and protocol-specific properties are documented in separate product leaflets.

These leaflets can be downloaded from our website:

www.swegon.se.

The GOLD air handling unit operates independently regardless of whether or not the network is active.